

EDS-3G

Efficiency Data Server 3G



Description

The **EDS-3G** is a device that offers the same features as its predecessor, the **EDS**. The **EDS-3G** features **PowerStudio** Embedded management software, with a web server and Ethernet connection, in addition to a brand-new feature that lets you connect via a built-in 3G router. This new connectivity lets you establish wireless communication with points that have no possibility of having an ADSL connection, in order to access the information stored by the **EDS-3G** or to incorporate it into a superior energy management system, such as **PowerStudio SCADA**.

Its most salient features include:

- Parameterisation and management of automatic events
- Alarm recording system and system event management
- E-mail alarms.
- RS-485 port for connecting up to 5 devices.
- Ethernet connection
- 3G connection
- Centralisation of alarms through detection of logical states or centralization of consumption by pulses.

Technical features

Power Supply circuit	Power Supply voltage	85 ... 264 V _{a.c.} / 120 ... 374 V _{a.c.}
	Frequency	47 ... 63 Hz
	Consumption	5 ... 8 VA
Output features	Type	Relay
	Maximum operating power	740 VA
	Maximum operating voltage	250 V _{a.c.}
	Maximum current commutation	5 A with resistive load
	Electrical working life (250 V _{a.c.} / 5 A)	3 x 10 ⁴ maneuvers
	Mechanical working life	2 x 10 ⁷ maneuvers
Input features	Type	Free-voltage opto isolated
	Max. current activation	50 mA
	Isolation	1500 V
Display	LCD with Backlight	
Mechanical features	Enclosure	Autoextingible UL94 V0 plastic
	Protection degree	IP 51
	Dimensions (mm)	105 x 90 x 70 mm (6 modules)
	Weight	280 g
Enviroment conditions	Working temperature	-10 °C ... 60 °C
	Humidity	5 ... 95% (without condensation)
	Max. Altitude	2000 m
Network interface	Type	Ethernet 10BaseTX
	Conector	RJ-45
	Network protocol	HTTP / Modbus/RTU
	Bus	RS-485
Modem	Work bands (only data)	UMTS/HSPA - 2100 / 900 Band GSM - 850 / 900 / 1800 / 1900 Band
Serial interface	Type	RS-485 three wires (A/B/S)
	Transmition speed	4800, 9600,19.200, 34.800, 57.600, 115.200 bps
	Data bit	8
	Parity	Without parity, pair, odd
	Stop Bit	1 / 2
Safety	Category III 300 / 520 V _{a.c.} according to EN 61010 Class II double insulation against electric shock	
Standards	IEC 60664, VDE 0110, UL 94, EN 61010-1, EN 55011, EN 61000-4-3, EN 61000-4-11, EN 61000-6-4, EN61000-6-2, EN 61000-6-1, EN 61000-6-3, EN 61000-4-5	

EDS-3G

Efficiency Data Server 3G

Applications



- **Remote application without Internet access:** with **EDS-3G** you can control the partial consumption of each of the loads in an installation that is located in a place with difficult access and where it is difficult to provide ADSL connections. Its built-in 3G router enables connection to this equipment.
 - Efficient, easy and simple control of the consumption of your remote sites where connection is difficult
 - Know the value of leakage currents and the status of earth leakage relays
 - Energy reports per consumption zone or site
 - Remote alarms for excess consumption or incidents in the electrical network
 - No need for a computer

- **Multi-point application without ADSL connection:** In a distribution of loads (or remote installations) without an Internet connection or where a VPN (Virtual Private Network) is not available, the **EDS-3G** lets you control the individual consumption of each of the installations and centralize them in one, using the 3G connection.
 - Efficient, easy and simple control of the consumption of your remote sites
 - Energy reports per consumption zone or site
 - Remote alarms for excess consumption or incidents in the electrical network.
 - Possibility of comparing consumption for each site.
 - No need for a computer
 - Possibility of connection when specified: the system acts automatically.
 - Supervise the level of harmonics and the reactive load of your installation.

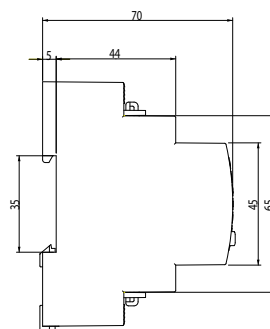
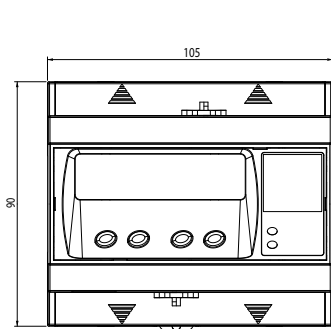
References

Description	Communications	Ethernet	3G connection	Internet	Digital inputs	Digital outputs	Type
Remote energy manager with PowerStudio Embedded technology and 3G connection	RS-485 Modbus/RTU	Yes	Yes	Built-in Web server and XML	8 (voltage-free)	6 per relay	EDS-3G
Remote energy manager with PowerStudio Embedded technology with generic modbus driver to communicate with other devices and 3G connection	RS-485 Modbus/RTU	Yes	Yes	Built-in Web server and XML	8 (voltage-free)	6 per relay	EDS-3G Deluxe

Accessories

Description	Frequency	Gain	Mounting	Type
 Antenna GXS2	GSM 850 / 900 MHz 824 - 960 MHz GSM 1800 MHz 1710 - 1880 MHz GSM 1900 MHz 1850 - 1990 MHz UMTS 2,1 GHz 1920 - 2170 GHz	2,14 dBi	Wall-mounting	GXS2
 Antenna GC2	AMPS 824-894MHz / GSM900 MHz / UMTS 2.1 GHz / WIFI / Bluetooth 2.4 GHz / PCN 1800 MHz / DCS 1900 MHz	2,20 dBi	Any surface	GC2

Dimensions



Connections

