

Technical Features

Power Supply

Input Voltage 110 Vac / 230Vac +/- 15%
 Power 2VA
 Frequency 50 / 60 Hz

Network Interface

Interface Ethernet 10Base-T / 100Base-TX (Auto-sensing)
 Connector RJ45
 Protocols Modbus/TCP, ARP, TFTP, DHCP, BOOTP, http and AutoIP

Serial Interface

Interface RS-232 or RS-485 (hardware selectable)
 Data Rates Software selectable

Indicators (LED)

POWER Power supply ON
 RX and TX RS-232 or RS-485 signal traffic

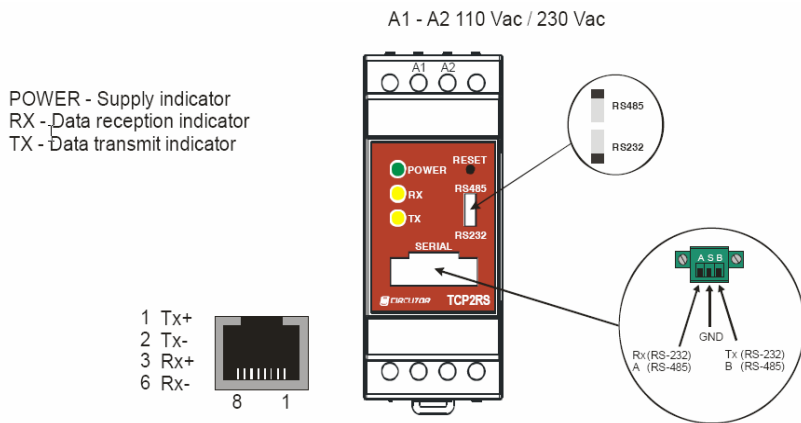
Environmental

Working Temperature 32 °F to 140 °F (0 °C to +60 °C)
 Protection NEMA 1 (IP 20)

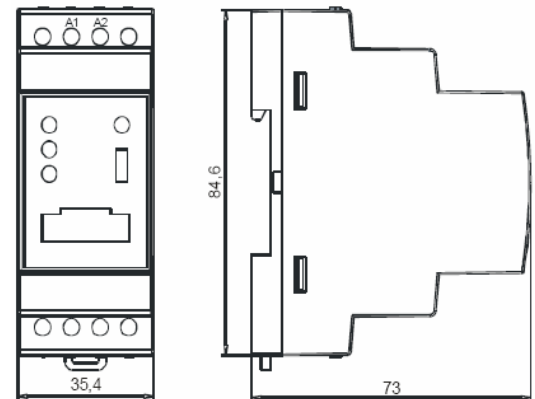
Dimensions

Dimensions 1.39" x 3.33" x 2.87" (35.4 x 84.6 x 73mm)

Connections



Dimensions (mm)



Configuration

- Insert provided CD.
- Select **Software** menu
- Select **EDSetup**
- Follow prompts to configure the TCP2RS
- Note: The MAC address of the specific TCP2RS is found on the side label of the converter