

Connect Voltage Terminal "C" at the shunt as shown

Revisions			
Rev.	Description	Date	Initial

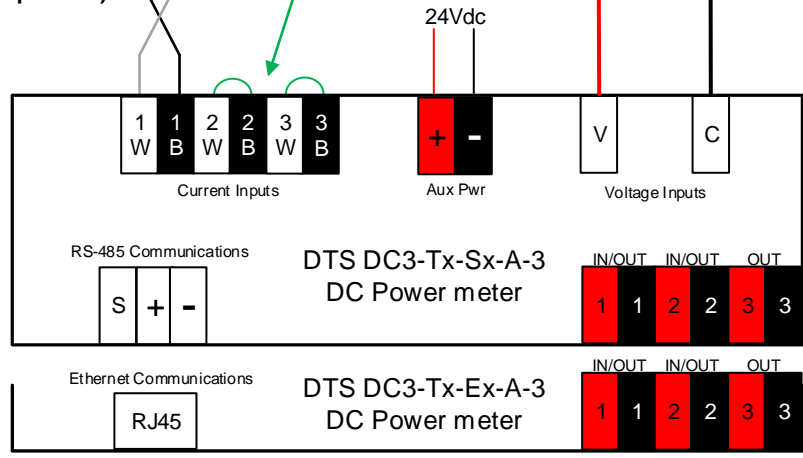


Use Input 1 if only one load is to be measured
(short W-B terminals together on Inputs 2 and 3 if not used)

Twist shunt output conductors (1 twist per inch)

Sign of Readings

Voltage	+ve
Current	+ve
Power	+ve
Energy	+ve



Drawing: Positive DC Voltage and shunt Current connections to DTS DC meter		
Project: Generic – DTS DC with shunt connection diagram		
Date: 07/18/2024	Drawn By: JDR	
Drawing No: M071824A	Rev: 1.0	Sheet: 1 / 1



Measurlogic Inc.
 7268 S. Tucson Way
 Centennial, CO, 80112 USA
 1 877 777 6567 www.measurlogic.com